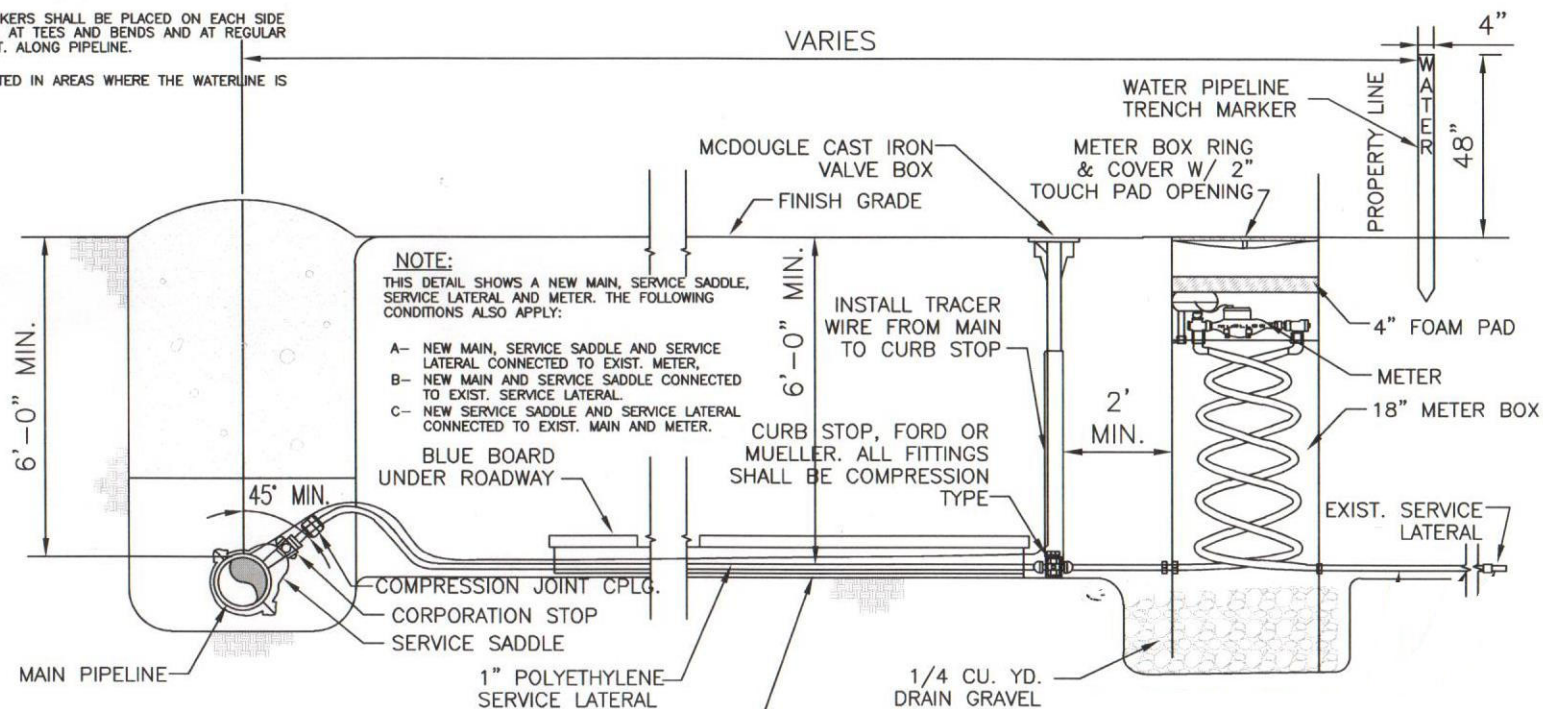


NOTE: PIPELINE MARKERS SHALL BE PLACED ON EACH SIDE OF CANAL CROSSINGS, AT TEES AND BENDS AND AT REGULAR INTERVALS AT 1000 FT. ALONG PIPELINE.

MARKERS MAYBE OMITTED IN AREAS WHERE THE WATERLINE IS UNDER ROADWAYS.

VARIES



NOTE:
THIS DETAIL SHOWS A NEW MAIN, SERVICE SADDLE, SERVICE LATERAL AND METER. THE FOLLOWING CONDITIONS ALSO APPLY:

- A- NEW MAIN, SERVICE SADDLE AND SERVICE LATERAL CONNECTED TO EXIST. METER,
- B- NEW MAIN AND SERVICE SADDLE CONNECTED TO EXIST. SERVICE LATERAL.
- C- NEW SERVICE SADDLE AND SERVICE LATERAL CONNECTED TO EXIST. MAIN AND METER.

BLUE BOARD UNDER ROADWAY
COMPRESSION JOINT CPLG.
CORPORATION STOP
SERVICE SADDLE

1" POLYETHYLENE SERVICE LATERAL

2" SCHEDULE 40 PVC CONDUIT UNDER ROADWAYS (30')

INSTALL TRACER WIRE FROM MAIN TO CURB STOP
CURB STOP, FORD OR MUELLER. ALL FITTINGS SHALL BE COMPRESSION TYPE

1/4 CU. YD. DRAIN GRAVEL

METER BOX RING & COVER W/ 2" TOUCH PAD OPENING

2' MIN.

EXIST. SERVICE LATERAL

WATER PIPELINE TRENCH MARKER

PROPERTY LINE

WATER

4.8"

4"

4" FOAM PAD

METER

18" METER BOX

NOTE: MUELLER/MCCULLOUGH THERMAL-COIL METER BOX INSTALLED AT ALL LOTS.

1. METER BOX SHALL BE 60", 18"Ø SINGLE METER STYLE. INLET SHALL BE LOCKWING ANGLE BALLVALVE (FULLPORT), OUTLET, A.S.E. TOP ENTRY VERTICAL CHECK, BOX SHALL BE SIDE LOCKING.

3. ALL FITTINGS SHALL BE FORD OR MUELLER COMPRESSION TYPE FITTINGS.

CONNECT TO EXISTING SERVICE LATERAL AS

CONSTRUCTION NOTES:

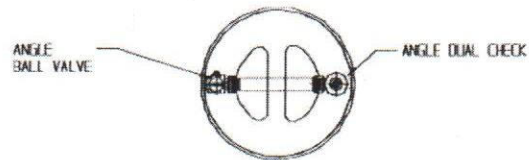
1. ALL 3/4" AND 1" SERVICE CONNECTIONS TO DUCTILE OR CAST IRON SUPPLY MAIN SHALL BE A SERVICE SADDLE WITH A CORP STOP. ALL OTHER SERVICE CONNECTIONS SHALL USE SERVICE SADDLES AS SPECIFIED.
2. ALL PIPELINES SHALL BE INSTALLED AT THE LOCATIONS AND DEPTHS OF THE PLANS OR AS OTHERWISE DIRECTED BY THE ENGINEER.
3. ALL PIPELINE MATERIALS SHALL CONFORM TO ASTM D3034-80, SCHEDULE 40, ASTM F679-81, OR ASTM F794-83.
4. CONTRACTOR SHALL PERFORM ALL WORK IN ACCORDANCE WITH IDAHO DEPARTMENT OF ENVIRONMENTAL QUALITY (IDEQ), WATER QUALITY RULES AND REGULATIONS.
5. ALL DISTRIBUTION PIPE SHALL IN ACCORDANCE TO SECTION 217.
6. ALL DISTRIBUTION FITTINGS SHALL BE CAST IRON OR DUCTILE IRON, ANMA C-110 CLASS 250.
7. PIPE SHALL BE PLACED WITHIN THE RIGHT-OF-WAY DESIGNATED, AND IN NO CASE SHALL THE PIPELINE BE CLOSER THAN 3 FEET FROM THE PROPERTY LINE.
8. SERVICE LINE UNDER ROAD WAY SHALL BE ENCASED IN A 4 INCH PVC CASING FOR THE FULL WIDTH OF THE ROAD. (EVERY OTHER PROPERTY LINE)
9. MINIMUM HORIZONTAL SEPARATION FROM SEWER SHALL BE 10 FEET.
10. IF HORIZONTAL SEPARATION CANNOT BE MAINTAINED THEN WATER LINE SHALL BE 1'-6" VERTICALLY ABOVE SEWER OR SEWER SHALL BE CASED UNIT SEPARATION CAN BE MET.
11. TWO ATTEMPTS AT TRENCHLESS INSTALLATION (BORING OR PNEUMATIC HAMMER) SHALL BE MADE PRIOR TO OPEN CUT INSTALLATION OF LATERALS LOCATED UNDER PAVEMENT.

There is a fee payable to the HOA of \$ 250. Per hook up.

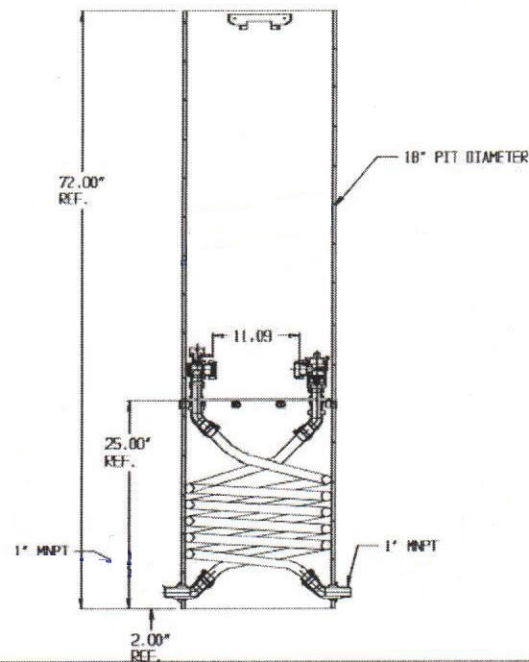
SUBMITTAL DATA SHEET

NL Coil Pit Setter – 790-472QFPP 440X18

MNPT x MNPT



2 of 2 Specification sheet



SUBMITTAL INFORMATION

- Manufactured in compliance with ANSI/AWWA C800 (latest revision)
- Brass components in contact with potable water conform to ASTM B584, UNS C89833 (latest revision) and identified with "NL"
- Certified to NSF/ANSI 61 and NSF/ANSI 372
- Brass components not in contact with potable water conform to ASTM B62 and ASTM B584, UNS C83600 -85-5-5-5 (latest revision)
- Coiled CTS tubing made from Polyethylene or Engineered Polymer Materials
- Stainless steel insert stiffeners designed to optimize flow
- Heavy wall PVC shell and impact resistant rigid meter platform
- Large wrench flats provided for proper installation